

EcoPlus and EcoSlim Drawings and Charts (24PS HLG)

Wiring Diagrams:

EL001199 - Without Dimmer

EL001454 - With Lutron Dimmers

EL001423 - With Jung Dimmers

EL001455 - Lutron Dimmers with Multiple Power Systems

EL001447 - Jung Dimmers with Multiple Power Systems

For:

EP22 Series = EP22, EP22M, EP22G

EP24 Series = EP24, EP24M, EP24G

EP26 Series = EP26, EP26M, EP26G

EP34 Series = EP34, EP34M, EP34G

EP33 Series = EP33, EP33M, EP33G

EP36 Series = EP36, EP36M, EP36G

EP44 Series = EP44, EP44M, EP44G

EP46 Series = EP46, EP46M, EP46G

and EPCST Series

ES22 Series = ES22, ES22M, ES22G

ES24 Series = ES24, ES24M, ES24G

ES26 Series = ES26, ES26M, ES26G

ES33 Series = ES33, ES33M, ES33G

ES34 Series = ES34, ES34M, ES34G

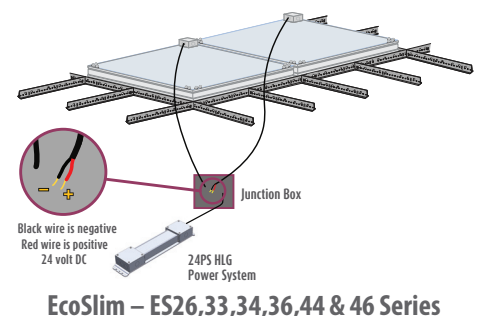
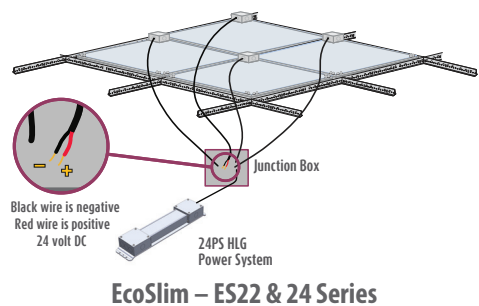
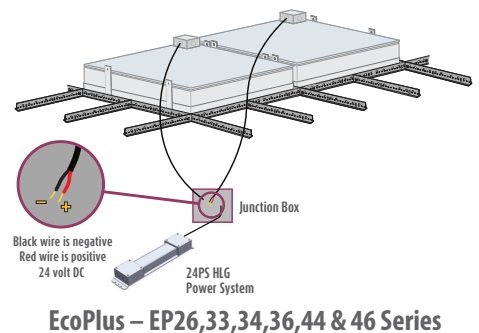
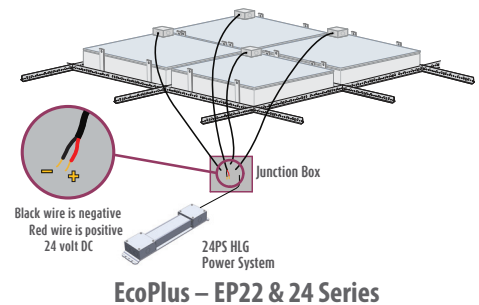
ES36 Series = ES36, ES36M, ES36G

ES44 Series = ES44, ES44M, ES44G

ES46 Series = ES46, ES46M, ES46G

and EPCST Series

Sky Factory 24PS HLG Power System Dimensions and Weights



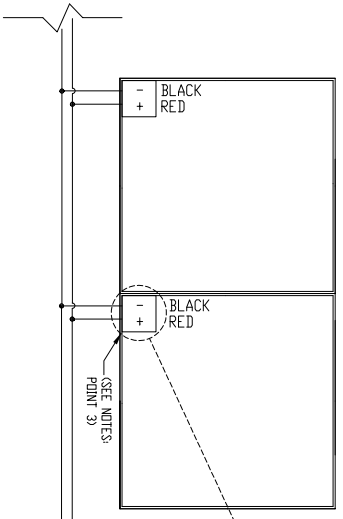
For technical support at any time during the installation, please call us **toll free at 866-759-3228**.

We want your installation to go as smoothly as possible. Thank you for choosing Sky Factory.

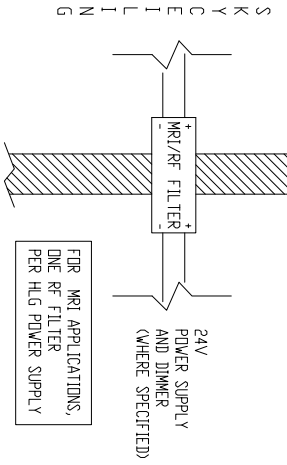
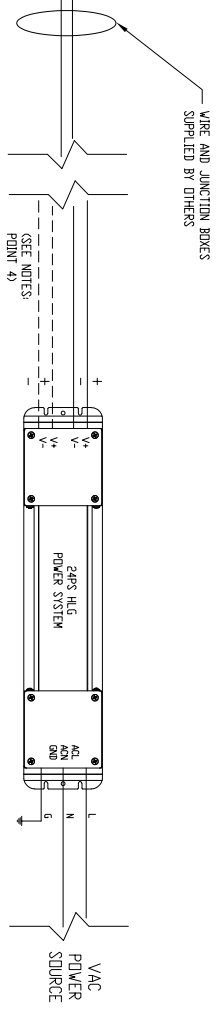
EP AND ES SERIES FIXTURES
WITH 24PS HLG POWER SYSTEM
NON-DIMMING OPTION

ECPPLUS
EP22 SERIES, EP24 SERIES,
EP26 SERIES, EP33 SERIES,
EP34 SERIES, EP36 SERIES,
EP44 SERIES, EP46 SERIES,
EPCST SERIES

ECDOSLIM
ES22 SERIES, ES24 SERIES,
ES26 SERIES, ES33 SERIES,
ES34 SERIES, ES36 SERIES,
ES44 SERIES, ES46 SERIES,
ESCST SERIES



- NOTES:
1. ALL FIXTURES 24V DC ONLY.
2. JUNCTION BOX ATTACHED TO EACH FIXTURE:
WIRE SIZE 18 AWG STRANDED
WIRE COLORS:
RED (+) (POSITIVE)
BLACK (-) (NEGATIVE)
3. EP36,44,46 AND ES36,44,46 HAVE TWO SETS OF LEADS.
ALWAYS CONNECT RED (+) TO RED (+) AND BLACK (-)
TO BLACK (-)
4. HLG-480H-24B AND HLG-600H-24B HAVE TWO SETS
OF OUTPUT LEADS. MEANWELL RECOMMENDS NO MORE THAN
240 WATTS ON EACH SET OF CABLES FOR HLG-480H-24B
480 WATTS ON EACH SET OF CABLES FOR HLG-600H-24B

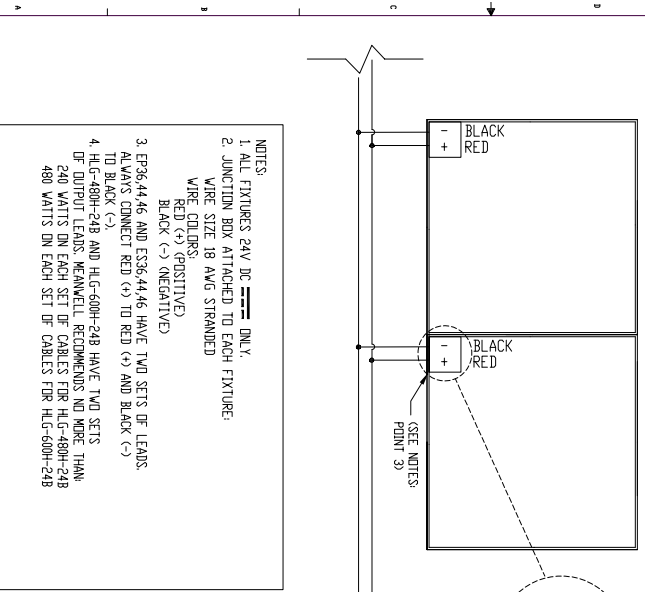


	DATE: 09/15/2020 TIME: 09:15:20 SHEET: 01 OF: 01
	TITLE: 24PS HLG POWER SYSTEM PROJECT: SKY FACTORY DRAWN BY: SKY CHECKED BY: SKY
MFG. NO.: ELO01199 REV.: K	DATE: 09/15/2020 TIME: 09:15:20 SHEET: 01 OF: 01

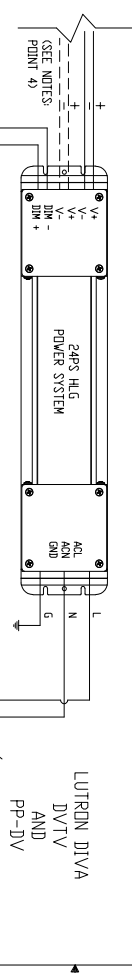
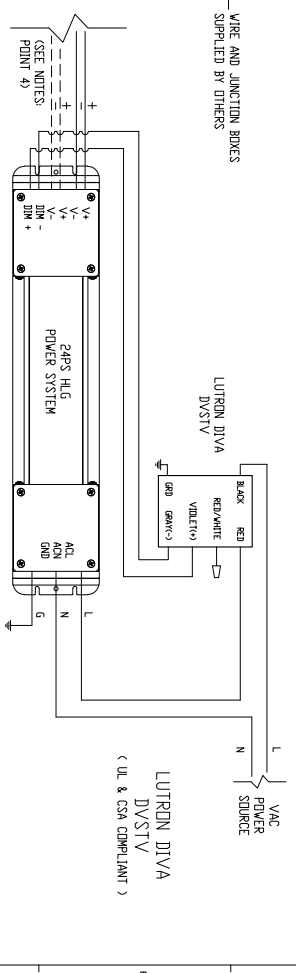
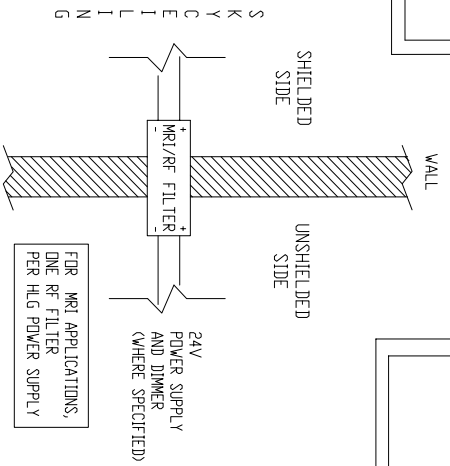
EP AND ES SERIES FIXTURES
WITH 24PS HLG POWER SYSTEM
DIMMING OPTION

ECDPLUS
EP22 SERIES, EP24 SERIES,
EP26 SERIES, EP33 SERIES,
EP34 SERIES, EP36 SERIES,
EP44 SERIES, EP46 SERIES,
EPCST SERIES

ECDSLIM
ES22 SERIES, ES24 SERIES,
ES26 SERIES, ES33 SERIES,
ES34 SERIES, ES36 SERIES,
ES44 SERIES, ES46 SERIES,
ESCST SERIES



- NOTES:
1. ALL FIXTURES 24V DC ONLY.
2. JUNCTION BOX ATTACHED TO EACH FIXTURE.
WIRE SIZE 18 AWG STRANDED
WIRE COLORS: POSITIVE
RED (+) NEGATIVE
BLACK (-)
3. EP36,44,46 AND ES36,44,46 HAVE TWO SETS OF LEADS.
ALWAYS CONNECT RED (+) TO RED (+) AND BLACK (-)
TO BLACK (-)
4. HLG-480H-24B AND HLG-600H-24B HAVE TWO SETS
OF OUTPUT LEADS. KEANWELL RECOMMENDS NO MORE THAN
240 WATTS ON EACH SET OF CABLES FOR HLG-480H-24B
480 WATTS ON EACH SET OF CABLES FOR HLG-600H-24B

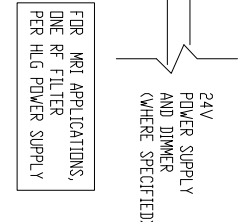
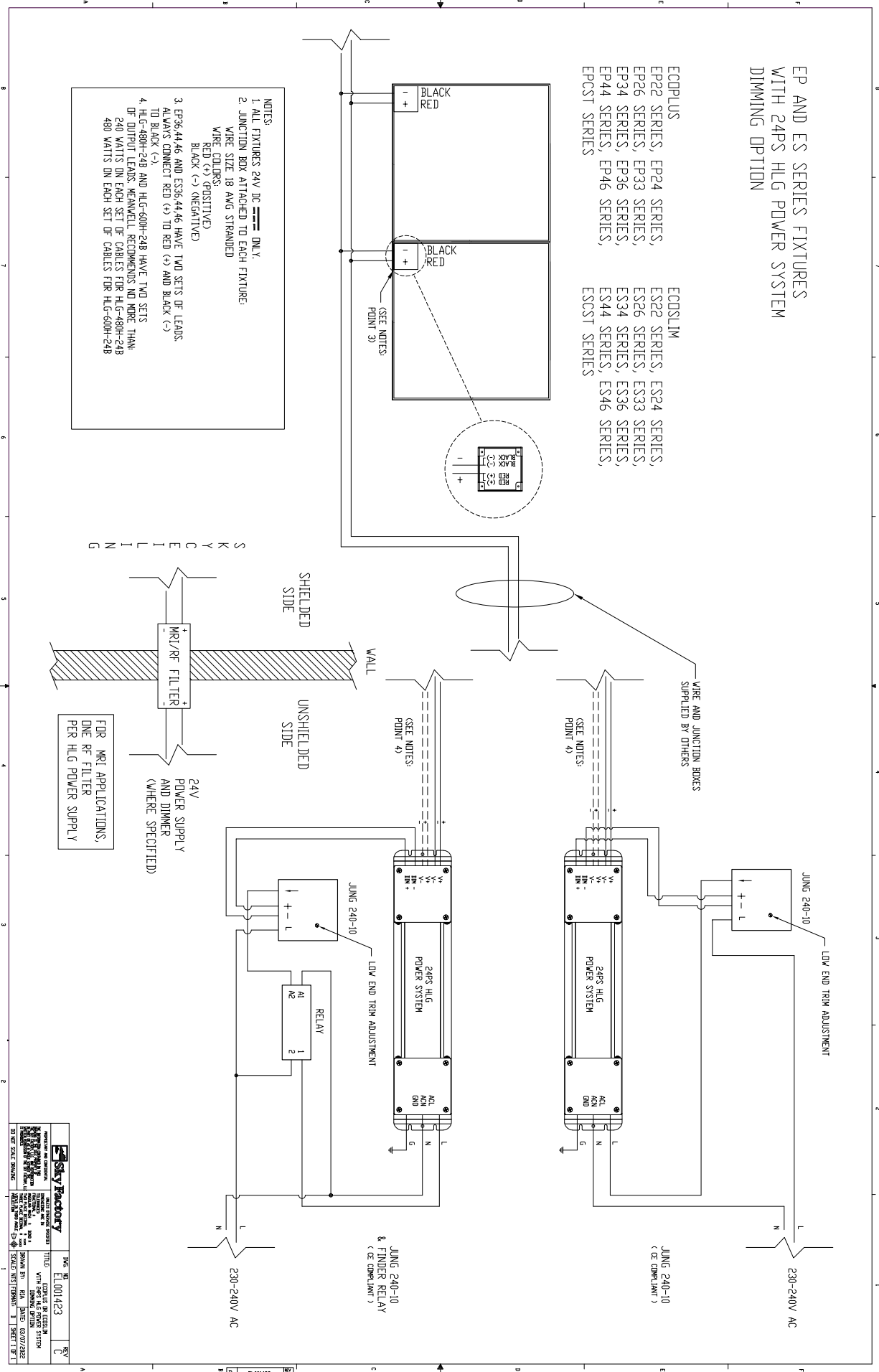


	DATE: 01/15/24 TITLE: 24PS HLG POWER SYSTEM DRAWN BY: GSA CHECKED BY: J. W. HENNING
PROJECT: 15-001-001 SHEET: 3 OF 3	DATE: 03/07/2022 REV: C

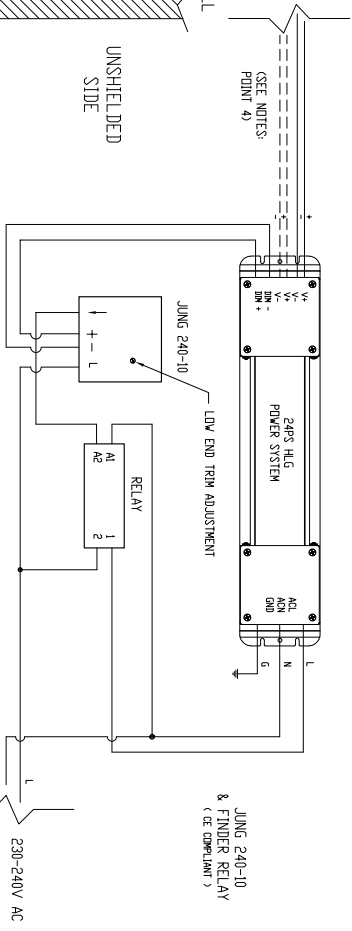
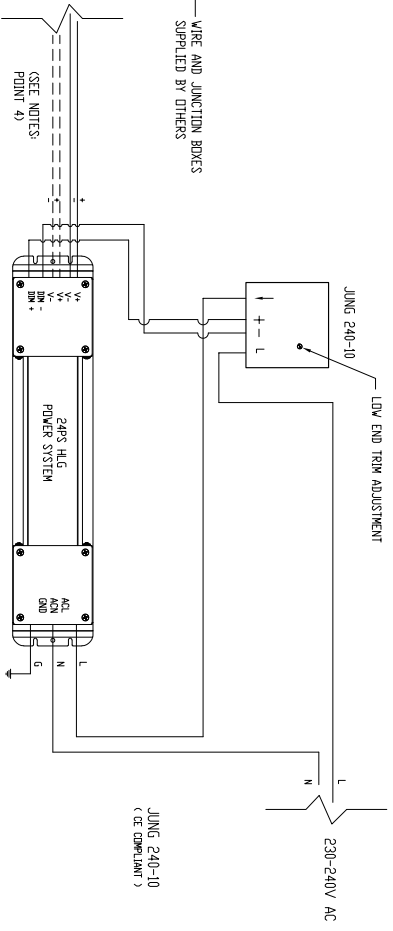
EP AND ES SERIES FIXTURES WITH 24PS HLG POWER SYSTEM DIMMING OPTION

- ECDPLUS**
EP22 SERIES, EP24 SERIES,
EP26 SERIES, EP33 SERIES,
EP34 SERIES, EP36 SERIES,
EP44 SERIES, EP46 SERIES,
EPCST SERIES
- ECDSLIM**
ES22 SERIES, ES24 SERIES,
ES26 SERIES, ES33 SERIES,
ES34 SERIES, ES36 SERIES,
ES44 SERIES, ES46 SERIES,
EPCST SERIES

- NOTES:**
1. ALL FIXTURES 24V DC ONLY.
 2. JUNCTION BOX ATTACHED TO EACH FIXTURE;
WIRE SIZE: 18 AWG STRANDED
WIRE COLORS:
RED (+) (POSITIVE)
BLACK (-) (NEGATIVE)
 3. EP36/44/46 AND ES36/44/46 HAVE TWO SETS OF LEADS
ALWAYS CONNECT RED (+) TO RED (+) AND BLACK (-)
TO BLACK (-).
 4. HLG-480H-248 AND HLG-600H-248 HAVE TWO SETS
OF OUTPUT LEADS. MEANWELL RECOMMENDS NO MORE THAN
240 WATTS ON EACH SET OF CABLES FOR HLG-480H-248
480 WATTS ON EACH SET OF CABLES FOR HLG-600H-248

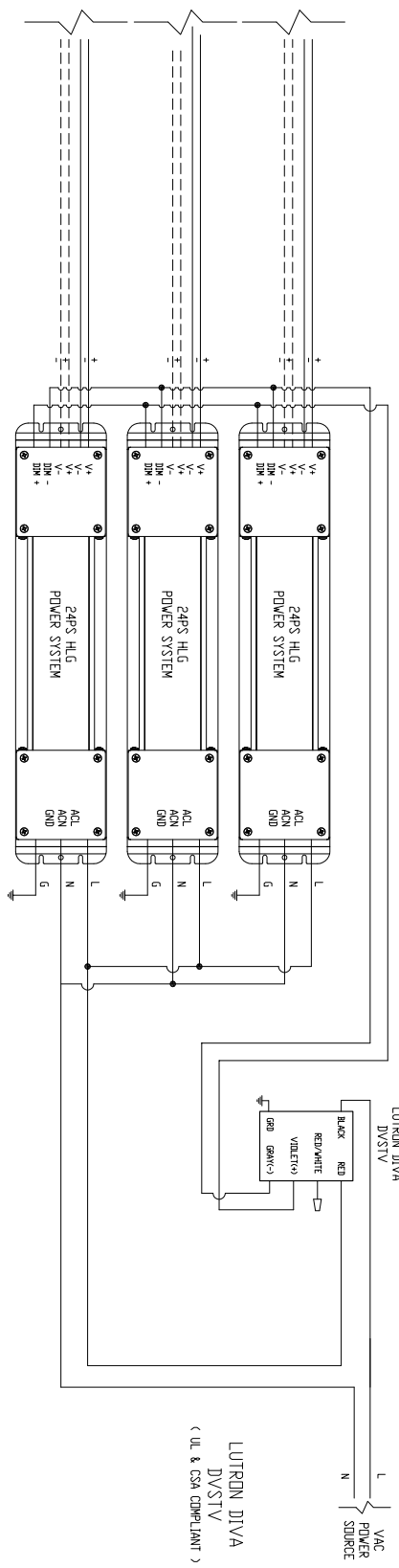


FOR MRI APPLICATIONS,
ONE RF FILTER
PER HLG POWER SUPPLY

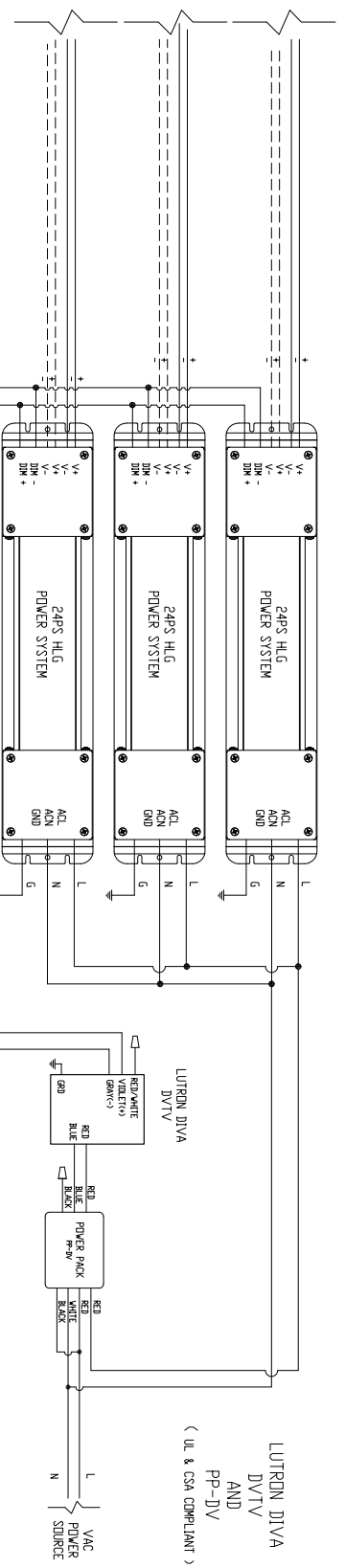


	DATE	REV
	EL001423	C
TITLE EP AND ES SERIES HLG WITH DIMMING OPTION WIRING DIAGRAM	DRAWN BY RBA	DATE 03/07/2022
CHECKED BY SJK	DATE 03/07/2022	SCALE 1:1

MULTIPLE 24PS HLG POWER SYSTEMS
WITH DVSTV AND DTV + PP-DV
DIMMING OPTION



LUTRON DIVA
DVSTV
(UL & CSA COMPLIANT)



LUTRON DIVA
DTVV
AND
PP-DV
(UL & CSA COMPLIANT)

S
K
Y
F
A
C
T
O
R
Y

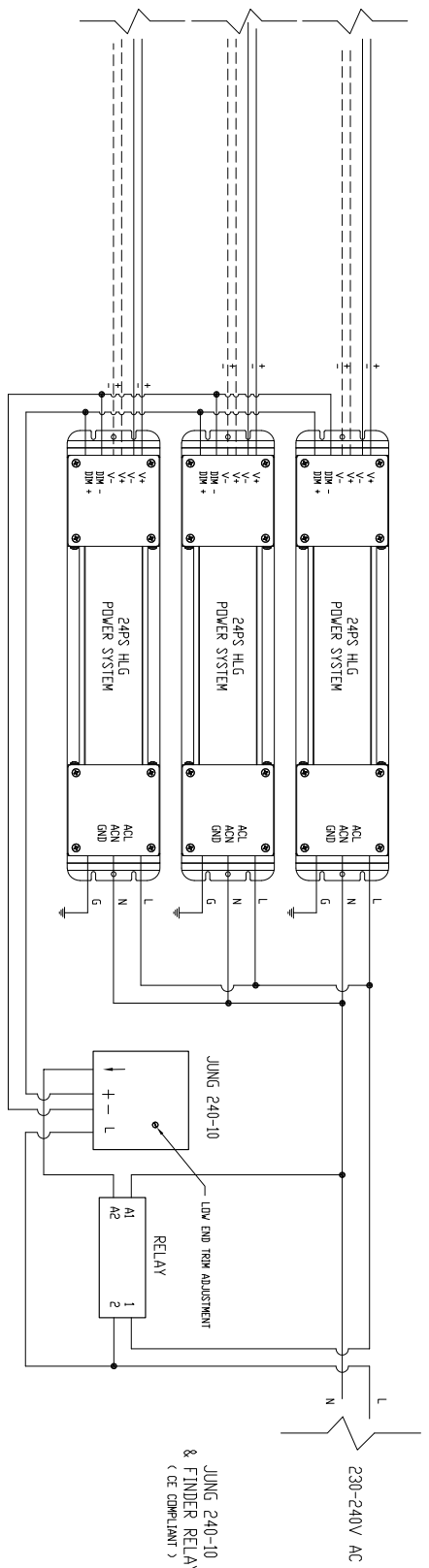
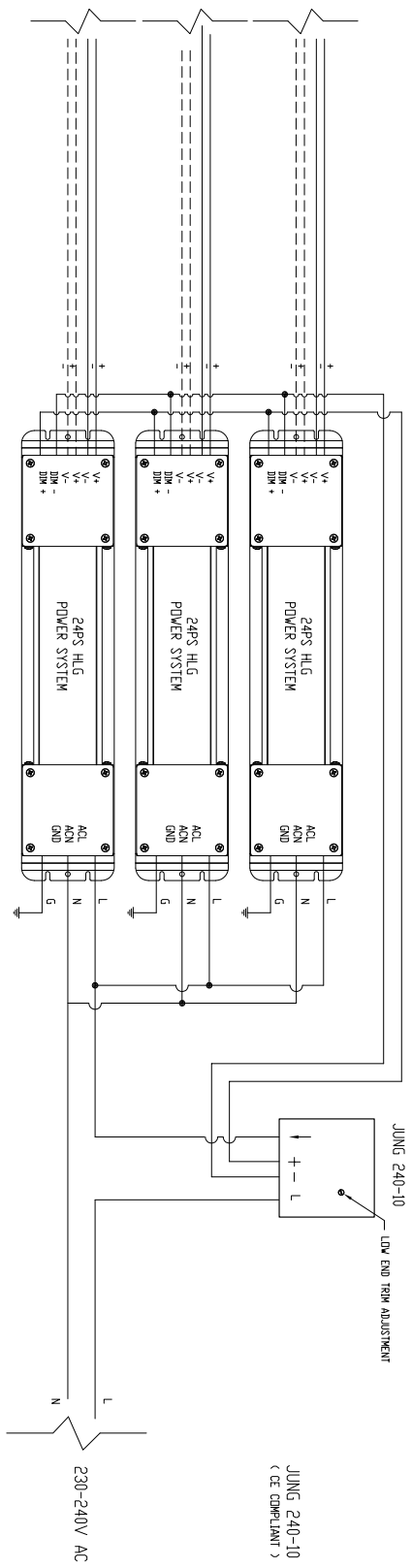
S
K
Y
F
A
C
T
O
R
Y

SKY Factory	
REG. U.S. PAT. & TM. OFF.	REG. U.S. PAT. & TM. OFF.
10000 WILSON BLVD. SUITE 100	10000 WILSON BLVD. SUITE 100
IRVING, TX 75039	IRVING, TX 75039
TEL: 972.251.1000	TEL: 972.251.1000
FAX: 972.251.1001	FAX: 972.251.1001
WWW.SKYFACTORY.COM	WWW.SKYFACTORY.COM
REV. 02/2020	REV. 02/2020
DATE: 02/2020	DATE: 02/2020
BY: SKYFACTORY	BY: SKYFACTORY
NO. OF SHEETS: 3	SHEET NO.: 1

PKG. NO.	REV. A
E1001455	
TITLE:	MULTIPLE 24PS HLG POWER SYSTEMS WITH DVSTV AND DTV + PP-DV DIMMING OPTION
DATE:	02/2020
BY:	SKYFACTORY
NO. OF SHEETS:	3
SHEET NO.:	1

E1001455

MULTIPLE 24PS HLG POWER SYSTEMS
WITH JUNG 240-10 AND JUNG 240-10 + FINDER RELAY
DIMMING OPTION



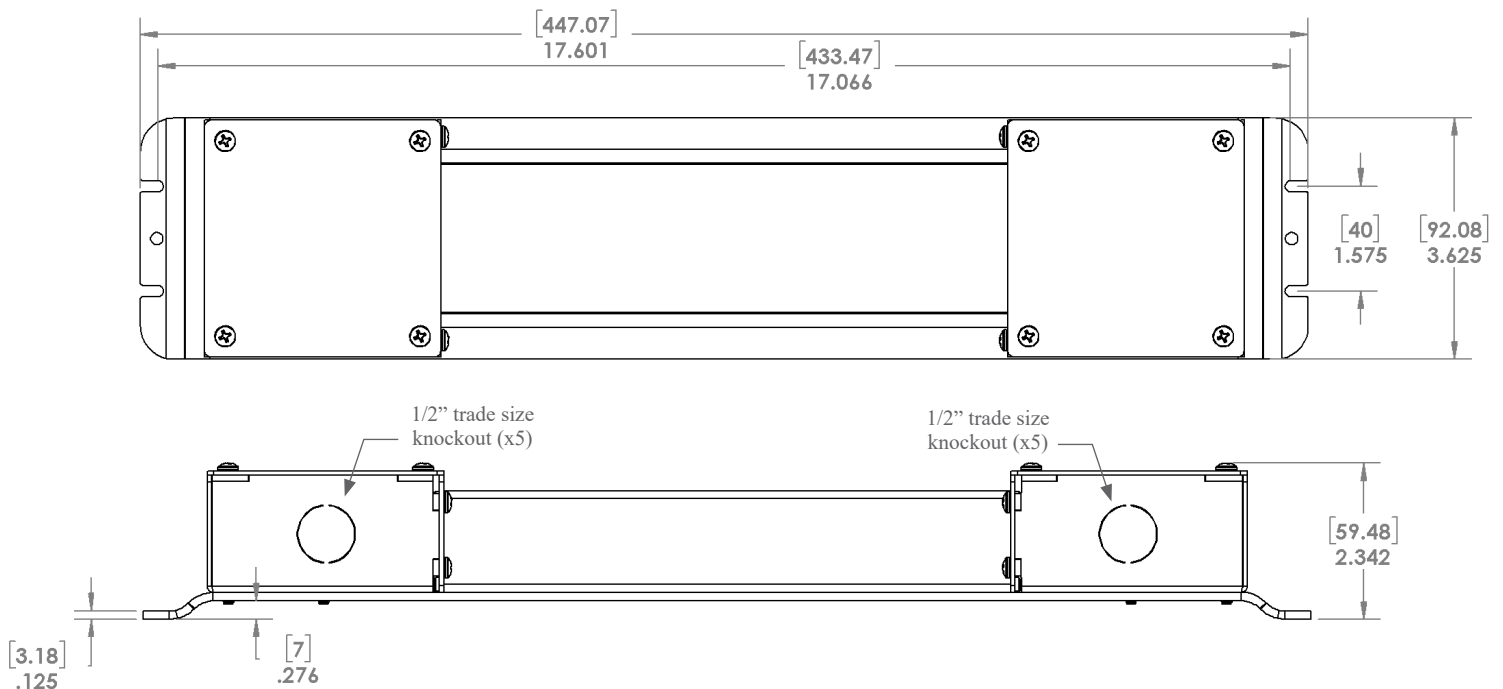
		No. of Social Services: 3
TITLE: ELO01447	REV: A	DATE: 02/20/2012
DRAWN BY:	CHECKED BY:	SCALE: 1/1
DESIGNED BY:	APPROVED BY:	SHEET 1 OF 1

Sky Factory 24PS HLG Power System Dimensions and Weights:

DIMENSIONS AND WEIGHTS				
	LENGTH	WIDTH	HEIGHT	WEIGHT
40 WATT 60 WATT	18 IN	3.7 IN	2.4 IN	3 LBS
	45.8 CM	9.4 CM	6.1 CM	1.4 KG
80 WATT 100 WATT 120 WATT 150 WATT 185 WATT 240 WATT	18 IN	3.7 IN	2.4 IN	4 LBS
	45.8 CM	9.4 CM	6.1 CM	1.8 KG
320 WATT	18 IN	3.7 IN	2.4 IN	6 LBS
	45.8 CM	9.4 CM	6.1 CM	2.7 KG
480 WATT	19.1 IN	5.8 IN	2.5 IN	8 LBS
	48.5 CM	14.8 CM	6.4 CM	3.6KG
600 WATT	19.1 IN	5.8 IN	2.5 IN	10 LBS
	48.5 CM	14.8 CM	6.4 CM	4.6 KG

- AC input wire sizes: 17 AWG on 40-600W
- DC output wire sizes: 17 AWG on 40-240W,480W; 14 AWG on 320W,600W
- Dimmer wire sizes: 20 AWG on 40-480W; 18 AWG on 600W

Mounting dimensions: 40w, 60w, 80w, 100w, 120w, 150w, 185w, 240w, 320w 24PS HLG Power Systems



Mounting dimensions: 480W, 600W 24PS HLG Power System

