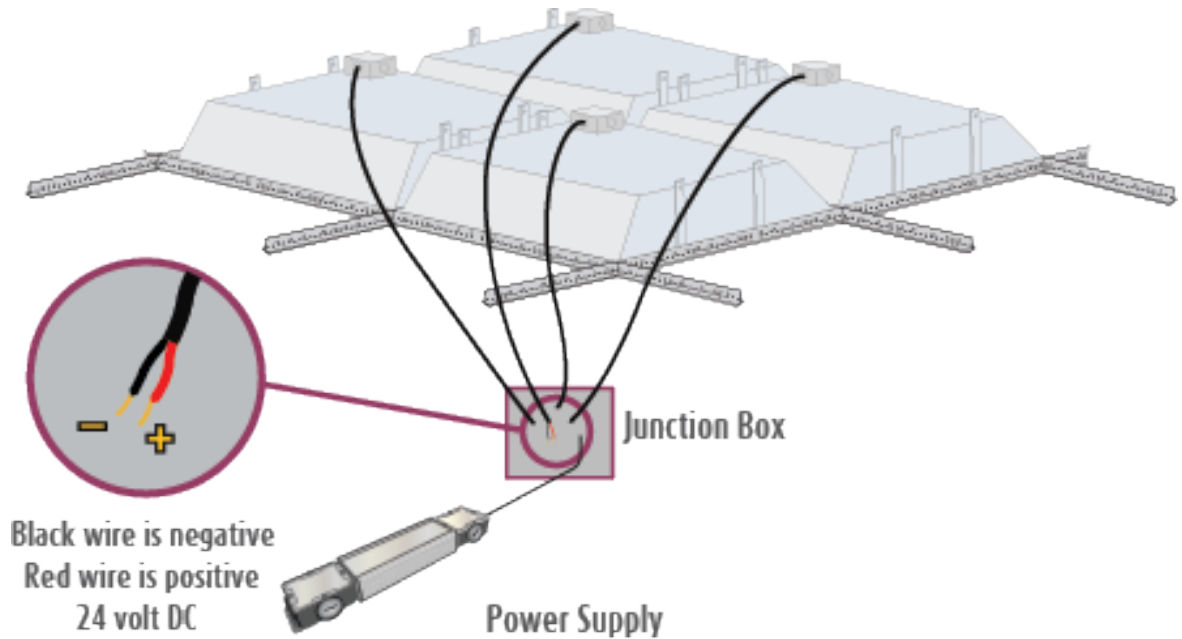


Classic w/ EcoPlus Electrical Instructions (HLG)



Installation Instructions includes:

Classic w/ EcoPlus Electrical Instructions (HLG)

Wiring Diagram EL001391, EL001428 & EL001429

Installation specific wiring diagram (where applicable)

For technical support at any time during the installation, please call us **toll free at 866-759-3228**.
We want your installation to go as smoothly as possible. Thank you for choosing Sky Factory.

Classic w/ EcoPlus Electrical Requirements:

EP22 Series: EP22 (2' x 2'), EP22M (60cm x 60cm), EP22G (62.5cm x 62.5cm)

EP24 Series: EP24 (2' x 4'), EP24M (60cm x 120cm), EP24G (62.5cm x 125cm)

NOTE: For custom sizes, see installation specific wiring diagram included (where applicable)

All EcoPlus fixtures are 24V DC only.

EcoPlus fixtures must be powered only by provided UL Recognized, CE Compliant 24V DC power supply

Dry locations only.

For installations with multiple power supplies, see

installation specific wiring diagram included (where applicable)

For installations with one or more custom sizes, see

installation specific wiring diagram included (where applicable)

RF filter, if used, is not provided by Sky Factory.

Sky Factory provided external dimmable power supply:

Input (Typ) 90-305V, 47 - 63 Hz

Output 24V DC

UL (U.S. and Canada) Recognized and CE Compliant

Surface mountable

Classic w/ EcoPlus Electrical Requirements (cont'd):

Sky Factory provided dimmer control (where specified)

Lutron Diva DVSTV 0 - 10V sliding dimmer/switch (UL & CSA compliant)

Input: auto-ranging 120 - 277V AC

Jung 240-10 dimmer/switch and external relay where specified (CE compliant)

Input: 230 - 240V AC

Helvar TK4 140 sliding dimmer/switch (CE compliant)

Input: 220 - 240V AC

For dimming requirements, see page 6.

For dimmer wiring diagrams, see dimmer control (and relay where specified) and wiring diagrams included

Electrical work must be performed by a qualified electrician who is familiar with DC lighting systems and must conform to all local and national codes.

Non-Dimmable and Dimmable Certification:

ES22 Series, ES24 Series, ES26 Series, ES33 Series, ES34 Series, ES36 Series, ES44 Series, ES46 Series, ESCST Series, EP22 Series, EP24 Series, EP26 Series, EP33 Series, EP34 Series, EP36 Series, EP44 Series, EP46 and EPCST Series fixtures when used with 24PS HLG Power System UL, CSA and CE Listed by Intertek Group plc

Step 1: Wiring the EcoPlus fixtures to the power supply

See supporting drawing on pages 7-8 and installation specific wiring diagram (where applicable)

EcoPlus Lighting System - EP22 and EP24 Series				
TSF Model No.	Dimensions: WxLxH	Weight	System Wattage (Max)	Input Current @ 24 Volts DC
EP22	23.6 x 23.6 x 5.63 (inches)	4.0 lb	23	0.96 A
EP24	23.75 x 47.75 x 5.85 (inches)	11.7 lb	47	1.96 A
EP22M	58.9 x 58.9 x 14.3 (cm)	1.8 kg	23	0.96 A
EP24M	59.4 x 119.4 x 14.86 (cm)	5.31 kg	47	1.96 A
EP22G	61.4 x 61.4 x 14.3 (cm)	2.1 kg	23	0.96 A
EP24G	61.9 x 124.4 x 14.86 (cm)	5.31 kg	47	1.96 A

NOTE: For custom sizes, see also installation specific wiring diagram (where applicable)



Notice: The LED fixtures are 24V DC ONLY.

AC voltage connected directly to the fixtures will destroy the lighting system.

Fixtures are wired together in single or multiple circuits. Each circuit is dedicated to a single power system and may be arranged in rows or clusters, depending on installation.

A junction box with 1/2" trade size knock-outs is attached on top corner of each fixture.

- Power leads inside fixture junction box are polarized, red (+) and black (-).
- Wire size 18 AWG stranded.

Step 1 continued

Wiring from fixtures to V DC side of provided power supply is polarized, positive (+) to positive (+) and negative (-) to negative (-):

EcoPlus fixture red “+” to power supply **Vo+**

EcoPlus fixture black “-” to power supply **Vo-**

For power supply V DC wire size, see wiring diagrams included

HLG-480H-24B and HLG-600H-24B have two sets of output leads. Meanwell recommends loading no more than:

240 Watts on each set of cables for HLG-480H-24B

480 Watts on each set of cables for HLG-600H-24B

Wire and additional junction boxes from fixtures to power supply provided by others.

Wire gauge must conform to local and national codes. Voltage drop of no more than 2% is recommended.

Step 2: Wiring the power supply to source V AC

Run power to V AC side of the power supply. For power supply V AC wire size, see wiring diagrams included

Line to power supply **ACL**

Neutral to power supply **ACN**

Ground to power supply  **(GREEN/YELLOW)**

Wire gauge must conform to local and national codes.

Install the power switch on the V AC input side of the power supply.

Step 3: Dimming requirements

Contact the Sky Factory if you plan on using a dimming system provided by others.



Notice: Dimming using non-approved systems may permanently damage LED's and will void the warranty!

Wiring a Sky Factory provided dimmer control:

To wire the dimmer control (and external relay where specified), refer to wiring diagram included with dimmer and relay and drawings attached.

Step 4: Checking the polarity



Notice: CHECK THE POLARITY BEFORE TURNING ON POWER. MAKE SURE:

Red wires on the fixtures go to the "+" terminals of the power supply

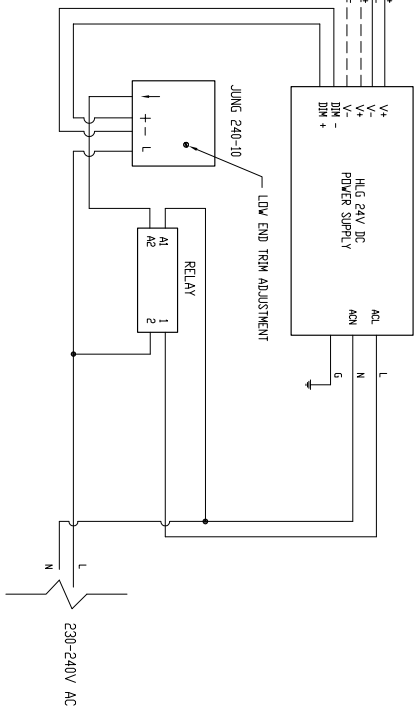
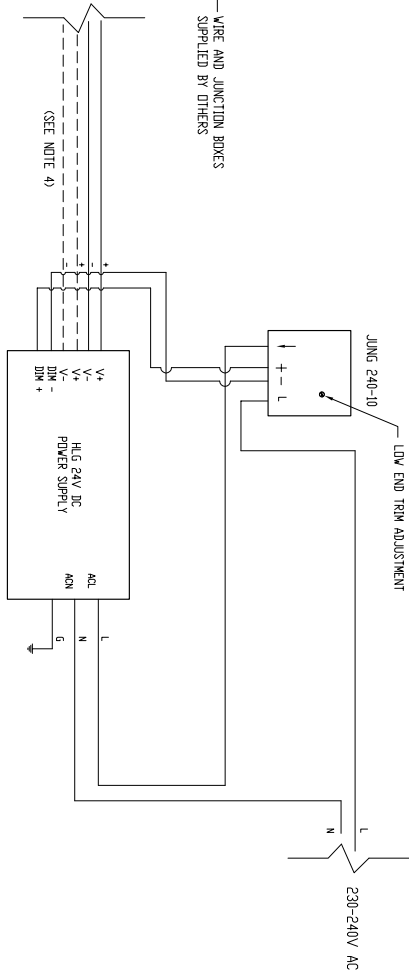
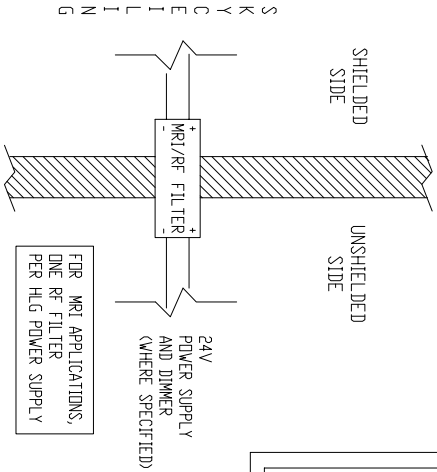
Black wires on the fixtures go to the "-" terminals of the power supply

IF THE SYSTEM IS WIRED BACKWARD, IT WILL DESTROY THE LED'S!

EP AND ES SERIES FIXTURES
WITH HLG POWER SUPPLY
DIMMING OPTION

- ECOPULS
EP22 SERIES, EP24 SERIES,
EP26 SERIES, EP33 SERIES,
EP34 SERIES, EP36 SERIES,
EP44 SERIES, EP46 SERIES
- ECOSLIM
ES22 SERIES, ES24 SERIES,
ES26 SERIES, ES33 SERIES,
ES34 SERIES, ES36 SERIES,
ES44 SERIES, ES46 SERIES

- NOTES:
1. ALL FIXTURES 24V DC ONLY.
 2. JUNCTION BOX ATTACHED TO EACH FIXTURE:
WIRE SIZE 18 AWG STRANDED
 3. SEE ALSO WIRE SIZING CHART.
WIRE COLORS:
RED (+) (POSITIVE)
BLACK (-) (NEGATIVE)
 4. HLG-480H-24B AND HLG-600H-24B HAVE TWO SETS OF OUTPUT LEADS. MEANWELL RECOMMENDS NO MORE THAN 240 WATTS ON EACH SET OF CABLES FOR HLG-480H-24B 480 WATTS ON EACH SET OF CABLES FOR HLG-600H-24B



JUNG 240-10 + DIMMER RELAY (SEE COMPLAN 3)

Sky Factory		DATE: EL001428	REV: A
SKY FACTORY 10000 WILSON AVENUE SUITE 100 BOSTON, MA 02124 TEL: 617-252-1000 FAX: 617-252-1001 WWW.SKYFACTORY.COM		TITLE: DIMMING OPTION WITH HLG POWER SUPPLY	SCALE: 1/8" = 1"
DESIGNED BY: J. B. BROWN	DRAWN BY: J. B. BROWN	CHECKED BY: J. B. BROWN	DATE: 11/11/11

